



# COMBY- PROBE TMS - M FOR SIMULTANEOUSLY PRELEVATION AND TEMPERATURE MEASUREMENT

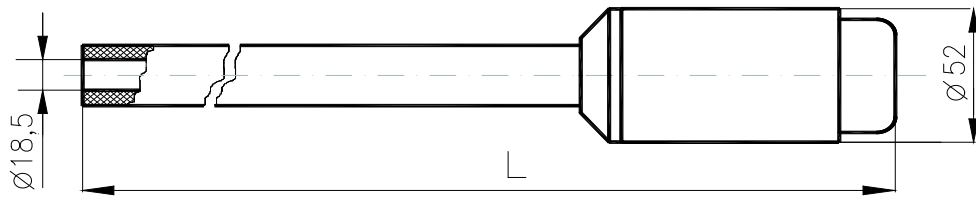


## DESCRIPTION

This sensor is a combination of the disposable immersion thermocouple type TIN-1 with an immersion sampler having a simple or double thickness.

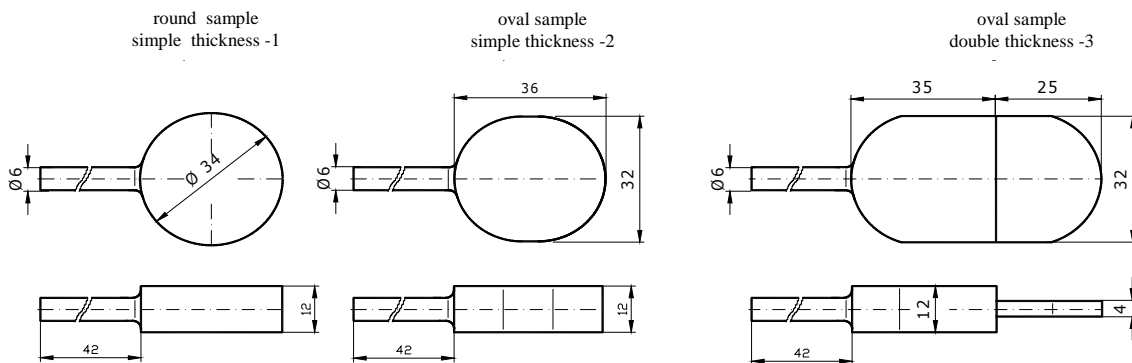
Simultaneously with the temperature is obtained during the immersion the metal sample for the laboratory analysis : carbon, azoth, sulf, oxygen gas.

For the immersion of the sensor in melted steel can be used existing TIN-1 coupling lance because no adaptation required.



## TECHNICAL DATA

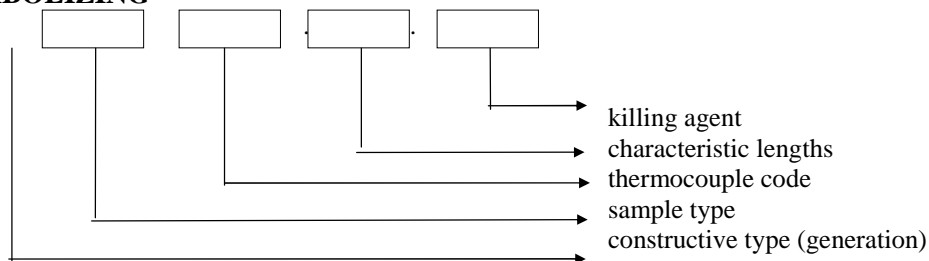
- Type thermocouple : **S** (Pt10%Rh-Pt) or **R** (Pt13%Rh-Pt) or **B** (Pt30%Rh-Pt6%Rh)
- Calibration of the thermocouples wires : according to IEC 584-1 based on ITS-90 or IPTS-68
- Thermocouple accuracy at Pd melting point (1554°C) : 0 to +4°C
- Maximum immersion time : 8 seconds
- Sample's shape and size :



- Characteristic lengths (L) : according to the appendix table
- Immersion depth : (1/2 ... 2/3) L
- Product can be use once time - prelevation and temperature measuring

## SYMBOLIZING

TMS M



## ORDERING

<i>Characteristic lengths (L)</i>	<i>Calibration Pt-Pt10%Rh</i>	<i>Calibration Pt-Pt13%Rh</i>	<i>Calibration Pt16%Rh-Pt30%Rh</i>	<i>Killing agent</i>	<i>Sample type</i>
900 mm	TMSM-1.10.09.O	TMSM -1.13.09.O	TMSM -1.36.09.O	No	round simple thickness
	TMSM-2.10.09.O	TMSM -2.13.09.O	TMSM -2.36.09.O		oval simple thickness
	TMSM-3.10.09.O	TMSM -3.13.09.O	TMSM -3.36.09.O		oval double thickness
	TMSM-1.10.09.A	TMSM -1.13.09.A	TMSM -1.36.09.A	Al	round simple thickness
	TMSM-2.10.09.A	TMSM -2.13.09.A	TMSM -2.36.09.A		oval simple thickness
	TMSM-3.10.09.A	TMSM -3.13.09.A	TMSM -3.36.09.A		oval double thickness
1200 mm	TMSM-1.10.12.O	TMSM -1.13.12.O	TMSM -1.36.12.O	No	round simple thickness
	TMSM-2.10.12.O	TMSM -2.13.12.O	TMSM -2.36.12.O		oval simple thickness
	TMSM-3.10.12.O	TMSM -3.13.12.O	TMSM -3.36.12.O		oval double thickness
	TMSM-1.10.12.A	TMSM -1.13.12.A	TMSM -1.36.12.A	Al	round simple thickness
	TMSM-2.10.12.A	TMSM -2.13.12.A	TMSM -2.36.12.A		oval simple thickness
	TMSM-3.10.12.A	TMSM -3.13.12.A	TMSM -3.36.12.A		oval double thickness
1500 mm	TMSM-1.10.15.O	TMSM -1.13.15.O	TMSM -1.36.15.O	No	round simple thickness
	TMSM-2.10.15.O	TMSM -2.13.15.O	TMSM -2.36.15.O		oval simple thickness
	TMSM-3.10.15.O	TMSM -3.13.15.O	TMSM -3.36.15.O		oval double thickness
	TMSM-1.10.15.A	TMSM -1.13.15.A	TMSM -1.36.15.A	Al	round simple thickness
	TMSM-2.10.15.A	TMSM -2.13.15.A	TMSM -2.36.15.A		oval simple thickness
	TMSM-3.10.15.A	TMSM -3.13.15.A	TMSM -3.36.15.A		oval double thickness

2007

**AMCO OTOPENI S.A.** Phone : 004 021 350.57.33 ; 351.67.34 ; Fax: 004 021 351.67.80  
E-mail : amco@amco-otopeni.ro ; Web site : www.amco-otopeni.ro