



LEVEL ALARM WITH ELECTRODES SNE-3 TYPE



DESCRIPTION

SNE-3 is an alarm and regulator device for liquids level, used between 2 level liquids with good electrical guide property.

Level alarm with electrodes is composed by following devices :

- the apparatus body ;
- measurement and reference electrodes.

TECHNICAL DATA

Level signalled difference : min. 25 mm

Maximum distance between measurement reference electrodes : 200 mm

Level signalling number : 2

Maximum voltage in the electrode circuit : 6 Vcc

Maximum current in the electrode circuit : 80 μ Acc

Power consumed : max. 12 VA

Maximum cable resistance for one electrode : 100 Ω

Use range : fluids with electric resistivity : 20 k Ω ·cm

Output signal : 3 lamps (minimum, intermediary, and maxim) situated on frontal panel : 2 relays 0,3 A/250 V

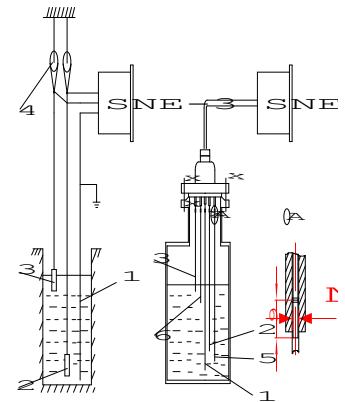
Supplying voltage : 220 V, 50 Hz

Gauge apparatus dimensions : 96 \times 174 \times 225 mm

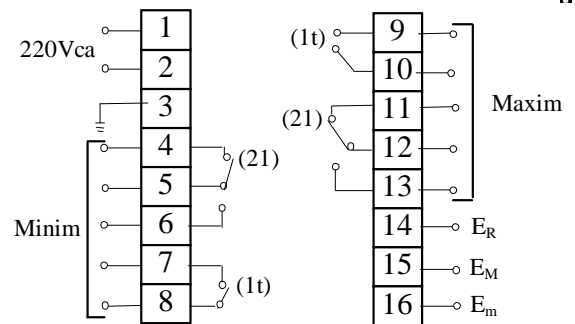
Normal protection degree of apparatus joint (unit):

IP 54 SR EN 60529-95

Apparatus weight : 2,200 kg



1. Reference electrode
2. Electrode for min. level
3. Electrode for max. level
4. Isolator pulley-block



ORDERING

In the order it will be indicated the product name.

APPLICATION

The apparatus is mounting on a vertical panel, in a 78x154 mm cutting square.

The fixed is made by two M50x10 screws.

For apparatus supply is recommended to use the MYYM3x1 conductor type.

The electric connections are made in concordance with the diagram connecting from interior face of cover.

The SNE-3 product is delivering with the suspend pulley-blocks conductor.

The reference electrode could be :

- the wall of liquid recipient - if is made it from a good electrical conductor material ;
- a stainless-steel pipe with an adequate long for to level touching.

The electrodes apparatus connection is made with TLY flexible conductors with a total resistance no big than 10 Ω /conductor.