



SPARKTESTER type IT



DESTINATION

The Sparktester is a high regulating voltage generator used for testing the rubberlined, glasslined, complex adhesive layers, plastic folio that cover plane conductivity surfaces or cylinder surfaces. It is manufactured for 4 constructive variants :

- POROTESTER type IT 0.7 – 2
- POROTESTER type IT 2 – 8
- POROTESTER type IT 6.5 – 13.5
- POROTESTER type IT 8 – 20.

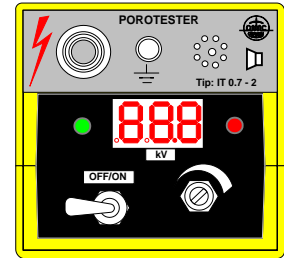


Fig. 1

DESCRIPTION

The Sparktester (fig.. 1) has the following components :

- High voltage generator – portable electronic generator with internal power source (12 V battery, 1,2 Ah) ; the value of high voltage is regulated in continuous mode with a potentiometer, accessed on frontal side of the instrument, and displayed in KVcc mode with one decimal, also 2 LED (red – battery discharged; green – end of battery charging) .

- High voltage clamp and earth clip of the instrument are also accessed on the frontal side. The generator is manufactured with a switch starter on / off. The insulation defect it's acoustically signalized ;

- The generator cover is made with a hanging belt and assures hands free for the operator in sonde manipulation during the checking.

- The high voltage cable with the high voltage sonde has 2 m length and it's made with a high voltage clamp for instrument and with a high voltage clamp for sonde.

- The high voltage sonde (fig. 2) is manufactured by using electroinsulated materials for functioning at 22 KVcc.

Accessories :

- Handle extension rod, 500 mm
- Battery charger 230 VAC or 120 VAC
- universal brush electrode
-

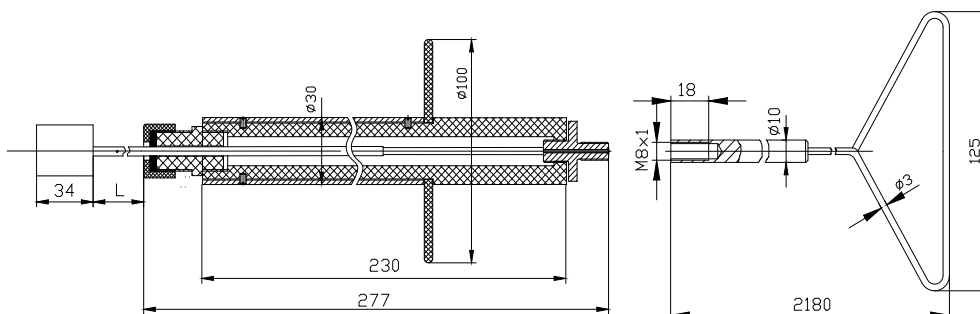


Fig. 2

TECHNICAL DATA

Voltage range : 0,7 ... 2 kVcc, 2... 8 kVcc, 6,5 ... 13,5 kVcc ; 8 ... 20 kVcc

Precision : 5%

Resolution : 0,1 kVcc

High power limit : 0,6 mA, with acoustical and visual signalization

Charging device : 12 V / 1,3 Ah (12 V / 1,2 Ah)

Power max. : 1,2 W; 3 W ; 4 W; 7 W depending on the voltage range

Weight : 1 kg, (0,5 kg weight generator included)

OPERATING CONDITIONS

Temperature : 0 ... +45°C, for the high voltage generator and -25 ... +60°C, for high voltage cable with high voltage sonde

Relative humidity : 65% maximum

Vibrations : max. 60 Hz, acceleration 1 g

MOUNTING CONDITIONS

The voltage regulation is made between minimum and maximum value of domain with the potentiometer. The conductive side of the checking object is earth outlet connected.

ORDERING

The order will contain denomination of the product, voltage range and length of cable – L.