



ELECTROMAGNETIC VALVES



DESCRIPTION:

Electromagnetic valves are valves for opening/closing electrically actuated.

They were designed to be used with a working fluids: water, air, methane gas or natural gases rich in heavy fractions, in normal working environments.

Electromagnetic valve are manufactured in the constructive variants presented (see the other side), including the following:

the valve manufactured for different nominal diameters, with installation connection in the form of a flange or threaded connection.

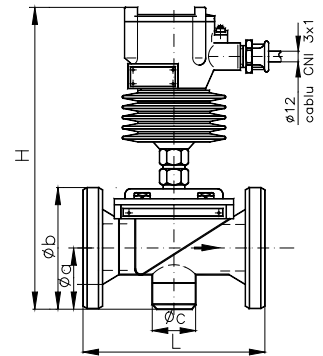
the electromagnet is made for normal temperate climate;

TEHNICAL DATA:

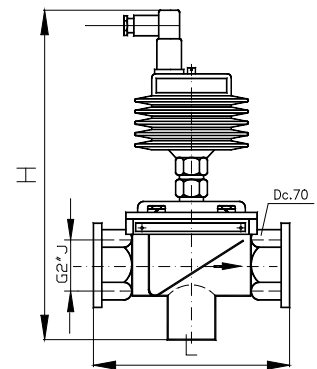
They are presented in tables 1

ORDERING:

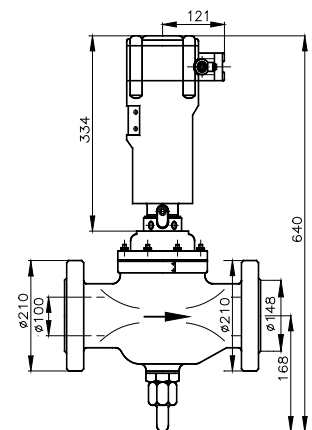
In the order will be specified:
the type of electromagnetiv valve;
normal status of the valve ;
nominal diameter ;
working power ;
working pressure ;
working fluid.



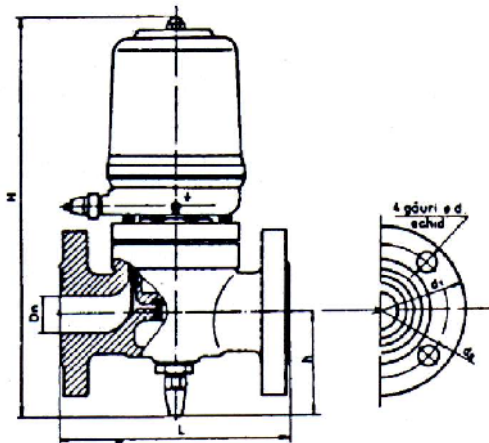
VE-5



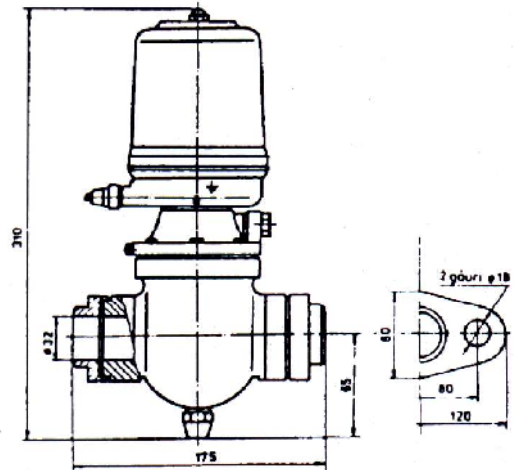
VE - 6



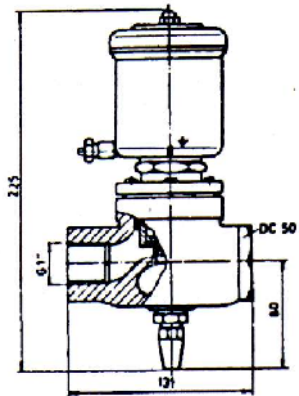
VE 100-3G
VEx100-3G



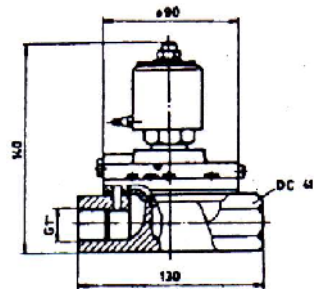
VE 25-1, VE 50-1, VE 100-1



VE 32-1



VE 25-3



VEM 21/25

Electromagnetic valve for normal environment (**Table no. 1**)

Valve core type	Nominal diameter Dn (mm)	Working pressure (bar)		Working power		Maximum power absorbed (VA), (W)	Valve core status	Dimensions			Connection to the installation	Weight kg	Notes
		gases (Pmin-Pmax)	liquid (Pmin-Pmax)	Vcc	Vca			L mm	H mm	h mm			
VE5-25	25	methane gas 0...16	-	12, 24, 48, 110, 220	12, 24, 48, 110, 220	26	NI ND	160	290	58	flange ϕ 115 4 holes \times ϕ 14	6	IP 54
VE6-25								130	282	58	thread outlet G1"	5	
VE25-1		air 0,1...6	water 0,1...16	24; 48; 180; 220	220	20		160	305	80	flange ϕ 115 4 holes \times ϕ 14	10	IP 43
VE25-3		air 0,1...1	water 0,1...6	-	24; 220	40	NI	131	225		thread outlet connection G1"	4,5	
VEM2/25		air 1...10	water, petroleum products 1...10	12; 24	24; 110; 220	7		130	140	24	thread outlet connection G1"	4	IP 41
VE32-1	32	-	water 0,3...16	24; 48; 180; 220	220	20		175	310	65	oval flange 240 2 holes \times ϕ 18	10	IP 43
VE50/1	50	gas 0,3...5	water 0,3...5	24; 48; 180; 220			210	345	100	flange ϕ 165 4 holes \times ϕ 18	17		
VE5-50		0...16	-	12; 24; 48; 110; 220	12; 24; 48; 110; 220	26	NI ND	230	365	74	flange ϕ 165 4 holes \times ϕ 18	10	IP 54
VE6-50		0,05 ... 0,5						180			thread outlet connection G2"	8	
VE100-1		100	air 0,1 ... 1	water 0,2...1	180	220	100	NI	300	462	145	flange ϕ 210 4 holes \times ϕ 18	
VE100-3G	methane filtrated 0...6		-	-	24; 48; 110; 220	200	640					165	
VE100 G	100	methane filtrated 0,05 ... 0,5	-	180	220	40	NI	300	590	171	flange ϕ 210 4 holes \times ϕ 18	50	IP 43